

4

3

2

1

D

D

C

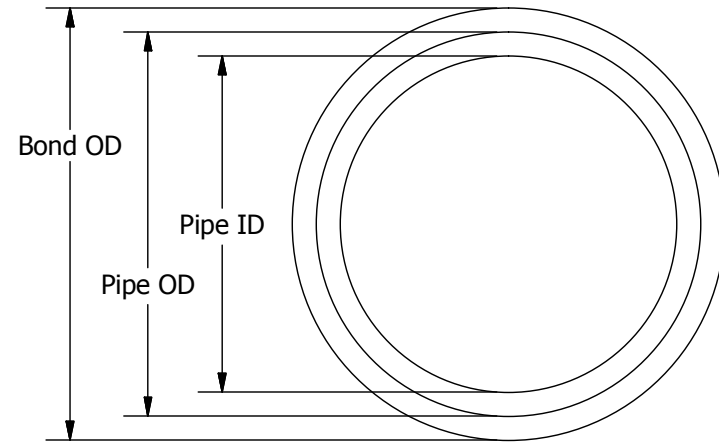
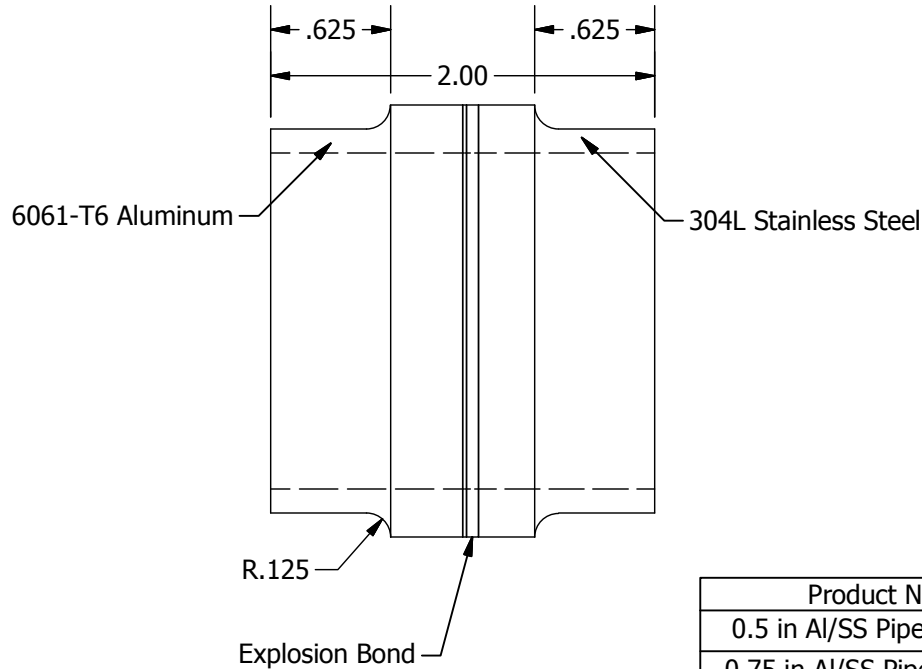
C

B

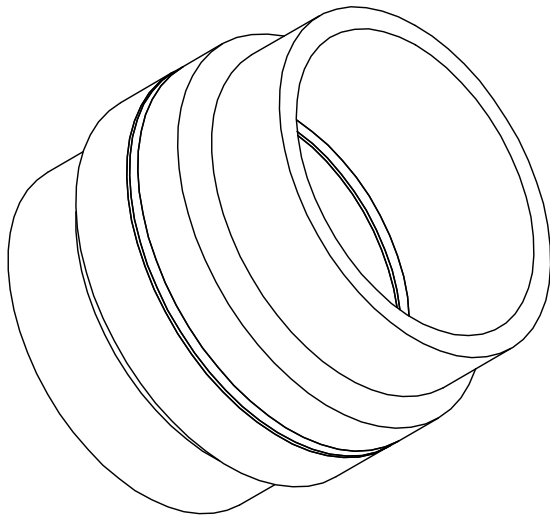
B

A


A



Product Name	NPS	Pipe OD	Pipe ID	Bond OD	Schedule	Part #
0.5 in Al/SS Pipe Transition	1/2	0.84	0.622	1.09	40/40	BP 050143
0.75 in Al/SS Pipe Transition	3/4	1.05	0.824	1.3	40/40	BP 075143
1.0 in Al/SS Pipe Transition	1	1.31	1.049	1.56	40/40	BP 100143
1.25 in Al/SS Pipe Transition	1 1/4	1.66	1.38	1.91	40/40	BP 125143
1.5 in Al/SS Pipe Transition	1 1/2	1.9	1.61	2.15	40/40	BP 150143
2.0 in Al/SS Pipe Transition	2	2.38	2.067	2.63	40/40	BP 200143
2.5 in Al/SS Pipe Transition	2 1/2	2.88	2.469	3.13	40/40	BP 250143
3.0 in Al/SS Pipe Transition	3	3.5	3.068	3.75	40/40	BP 300143
3.5 in Al/SS Pipe Transition	3 1/2	4	3.548	4.5	40/40	BP 350143
4.0 in Al/SS Pipe Transition	4	4.5	4.026	5	40/40	BP 400143
5.0 in Al/SS Pipe Transition	5	5.562	5.047	6.062	40/40	BP 500143
6.0 in Al/SS Pipe Transition	6	6.625	6.065	7.125	40/40	BP 600143
8.0 in Al/SS Pipe Transition	8	8.625	7.981	9.125	40/40	BP 800143



This drawing and the information contained thereon is the developmental proprietary property of High Energy Metals, Inc. Use of or transmittal of this design information without prior permission is prohibited.

DRAWN <b>Michael Drum</b>		11/14/2017		 <b>High Energy Metals, Inc.</b> 293 Business Park Loop Sequim, WA 98382 P: 360-683-6390 * F: 360-683-6375	
CHECKED					
QA				SIZE	FILE NAME
MFG				A	Al-SS Pipe, 0.5-8 Dia, 2.0L, std
APPROVED				SCALE	REV
				SHEET 1 OF 1	

4

3

2

1

