

4

3

2

1

D

D

C

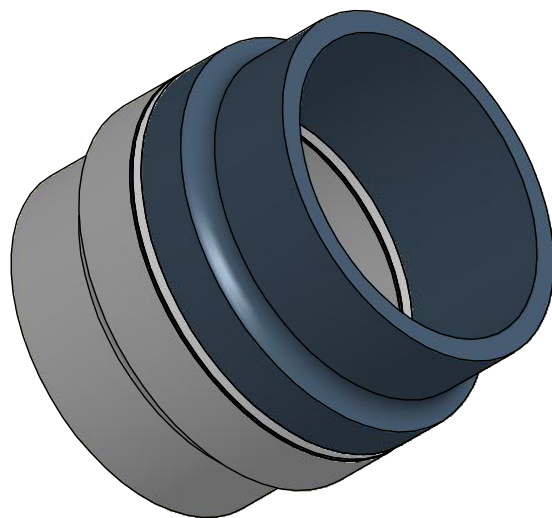
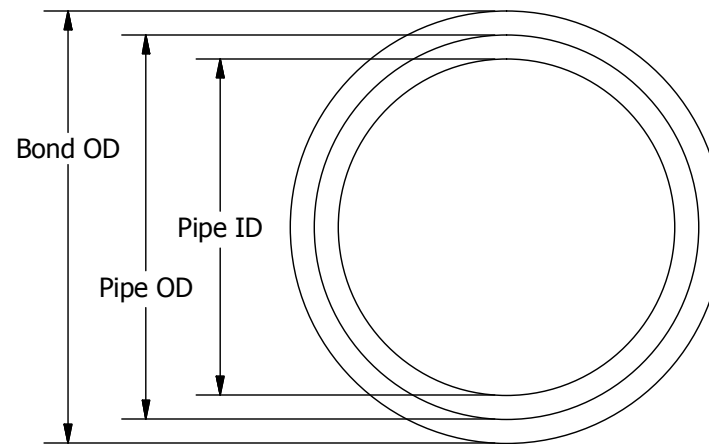
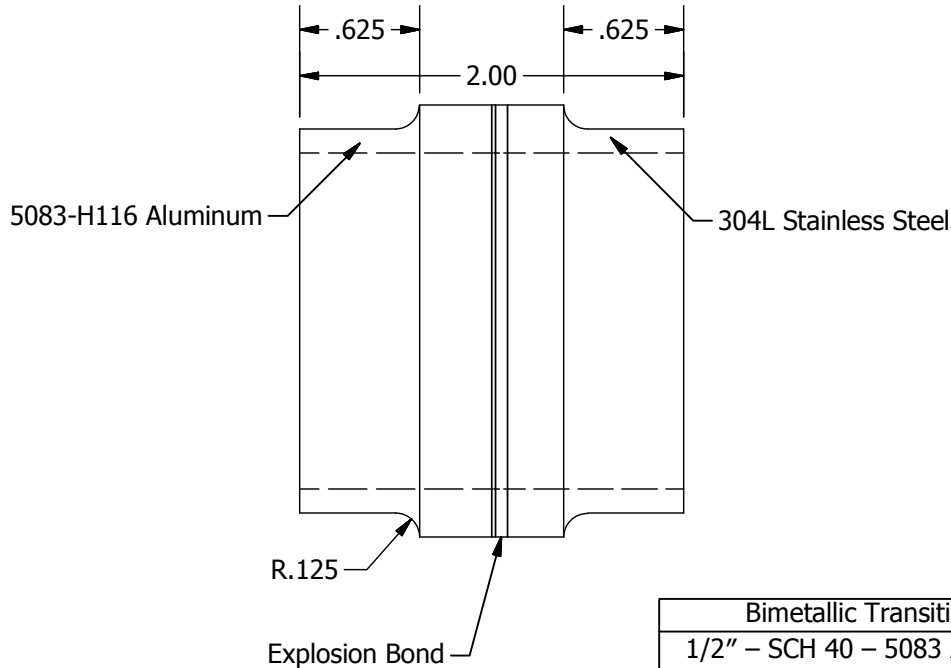
C

B

B


A

A



Bimetallic Transition Ring	NPS	DN	Pipe OD	Pipe ID	Bond OD	Schedule	Part #
1/2" - SCH 40 - 5083 AL / 304L SS	1/2	15	0.84	0.622	1.09	40/40	<a href="#">BP 050243</a>
3/4" - SCH 40 - 5083 AL / 304L SS	3/4	20	1.05	0.824	1.3	40/40	<a href="#">BP 075243</a>
1" - SCH 40 - 5083 AL / 304L SS	1	25	1.31	1.049	1.56	40/40	<a href="#">BP 100243</a>
1 1/4" - SCH 40 - 5083 AL / 304L SS	1 1/4	32	1.66	1.38	1.91	40/40	<a href="#">BP 125243</a>
1 1/2" - SCH 40 - 5083 AL / 304L SS	1 1/2	40	1.9	1.61	2.15	40/40	<a href="#">BP 150243</a>
2" - SCH 40 - 5083 AL / 304L SS	2	50	2.38	2.067	2.63	40/40	<a href="#">BP 200243</a>
2 1/2" - SCH 40 - 5083 AL / 304L SS	2 1/2	65	2.88	2.469	3.13	40/40	<a href="#">BP 250243</a>
3" - SCH 40 - 5083 AL / 304L SS	3	80	3.5	3.068	3.75	40/40	<a href="#">BP 300243</a>
3 1/2" - SCH 40 - 5083 AL / 304L SS	3 1/2	90	4	3.548	4.5	40/40	<a href="#">BP 350243</a>
4" - SCH 40 - 5083 AL / 304L SS	4	100	4.5	4.026	5	40/40	<a href="#">BP 400243</a>
5" - SCH 40 - 5083 AL / 304L SS	5	125	5.562	5.047	6.062	40/40	<a href="#">BP 500243</a>
6" - SCH 40 - 5083 AL / 304L SS	6	150	6.625	6.065	7.125	40/40	<a href="#">BP 600243</a>
8" - SCH 40 - 5083 AL / 304L SS	8	200	8.625	7.981	9.125	40/40	<a href="#">BP 800243</a>

This drawing and the information contained thereon is the developmental proprietary property of High Energy Metals, Inc. Use of or transmittal of this design information without prior permission is prohibited.

DRAWN Michael Drum		11/14/2017		 <b>High Energy Metals, Inc.</b> 293 Business Park Loop Sequim, WA 98382 P: 360-683-6390 * F: 360-683-6375	
CHECKED					
QA				SIZE	FILE NAME
MFG				A	HEMI SCH 40 5083-AI - 304-SS
APPROVED				SCALE	REV
				SHEET 1 OF 1	

4

3

2

1

